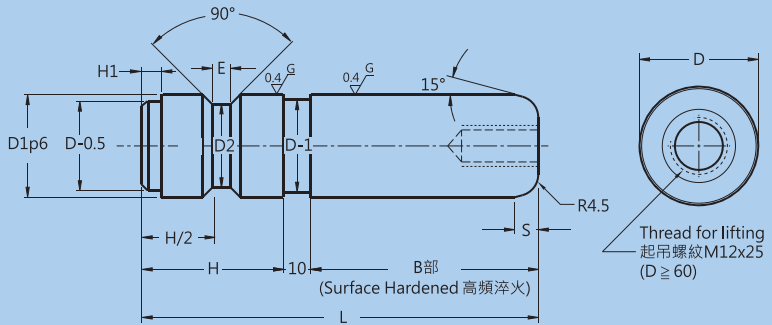


SZ-SGP



Type 品名	Material 材質	Heat Treatment 熱處理	Hardness 硬度	Delivery 交貨日
SZ-SGP	S45C	Surface Hardened 高頻淬火	55 HRC~	10 Working Days 10 個工作日

Type	D	TOL.	L	D1	TOL.	D2	H	E	S	H1	
SZ-SGP	25	-0.005 -0.015	80	25	+0.035 +0.022	21	30		8	5	10
			100								
			120								
			140								
	30	-0.005 -0.015	160	30	+0.035 +0.022	26	40	8	5		
			100								
			120								
			140								
	40	-0.005 -0.015	160	40	+0.042 +0.026	36	50				
			180								
			200								
			120								
50	-0.005 -0.015	160	50	+0.042 +0.026	45	70	10	10			
		180									
		200									
		140									

Type	D	TOL.	L	D1	TOL.	D2	H	E	S	H1	
SZ-SGP	50	-0.005 -0.015	250	50	+0.042 +0.026	45	70	10			10
			300								
	60	-0.010 -0.020	200	60	+0.051 +0.032	55	90				
			220								
			250								
			300								
	65	-0.010 -0.020	350	65	+0.051 +0.032	60	100				
			250								
			300								
	80	-0.010 -0.025	350	80	+0.059 +0.037	75	120				
			400								
			300								
350											
100	-0.010 -0.025	400	100	+0.059 +0.037	95	150					
		450									
		500									
		200									

Order Ex. 訂購範例

SZ-SGP-D-L